

Hall Ticket Number:

--	--	--	--	--	--	--	--	--	--	--	--	--	--	--	--	--	--	--	--

Code No. : 21401

**VASAVI COLLEGE OF ENGINEERING (Autonomous), HYDERABAD**  
**B.E. II Year (Mechanical) I-Semester (Main) Examinations, December – 2015**

**MACHINE DRAWING**

Time: 3 hours

Max. Marks: 70

*Note: Answer ALL questions in Part-A and Part-B*

**Part-A (10 X 2=20 Marks)**

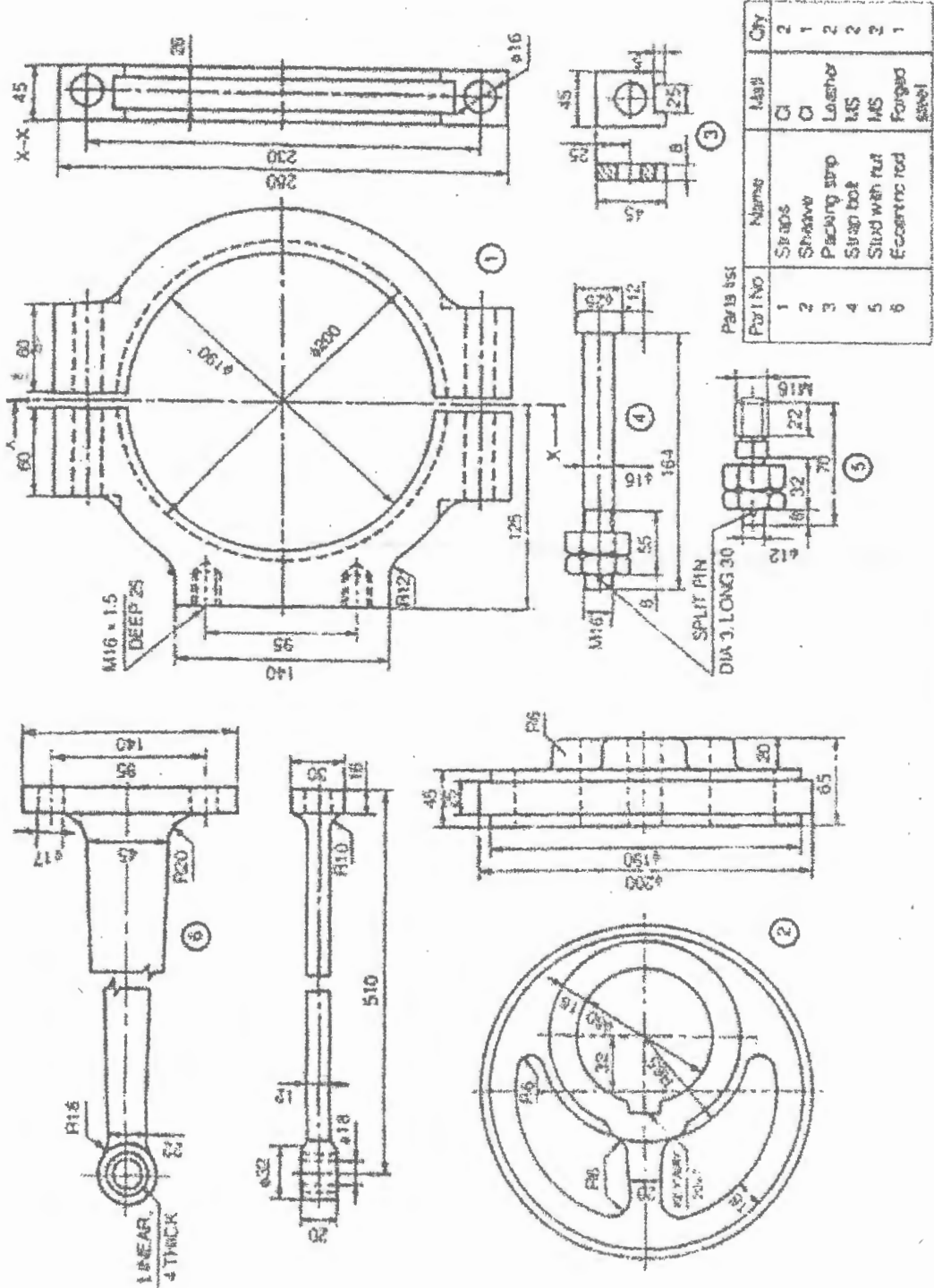
1. Draw the layout of a drawing sheet and show all the features.
2. Name the features which should not be shown hatched, when they are sectioned longitudinally.
3. What are the scales recommended for machine drawing?
4. Distinguish between the following:  
a) Metric and BSW threads and b) Square and ACME threads.
5. Sketch any two types of bolts, mentioning their applications.
6. Sketch any four forms of commonly used rivet heads.
7. Sketch the following locking devices in position, with proportions marked, taking the bolt diameter as 25mm: a) locking with pin and b) locking by a nut.
8. State where and why split-muff coupling is used in preference to solid muff coupling.
9. Draw the sectional view from the front, and view from the side of a cotter joint with sleeve used to connect two rods of 50 mm diameter each.
10. Sketch the half sectional front view of a plummer block, suitable for supporting a shaft of diameter 50mm.

**Part-B (1 X 50=50 Marks)**

11. Assemble all parts of the Eccentric given in figure below. Draw the half sectional front view [50] (top half in section) and the side view.

See overleaf for Figure.

*9072*



Details of an eccentric